

# TUBULAR ROLL UP SHUTTER P.95

## Description

Built with tubes in electro-welded, galvanized steel,  $\varnothing$  18mm, united together by vertical rods step 95mm. Vertical sliding and upper roll up.

Bottom slat height 485 mm, made of 3 blank slats + the bottom slat with handle and gasket stops.

On the top there are 2 or 3 blank slats for the roll up of the shaft.

It can be used as an insert for ventilation in blank shutters P.115.

Conform to UNI EN 13241-1 **CE**

The shutters exposed to the wind, for instance in case of façade installation, must have the Class 2 conforming with the EN 12424.

## Characteristics and materials

Tube		$\varnothing$ 18x1,0
Material		Galvanized steel
Frame weight	[kg/m <sup>2</sup> ]	9,00
Max. width	[m]	17,00
Spaces of use		Shops - Various

## Dimensions

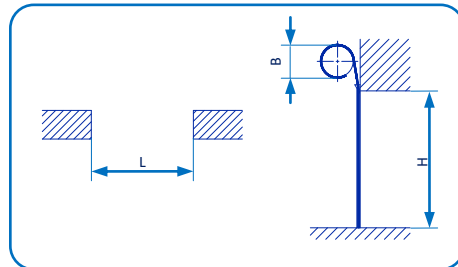
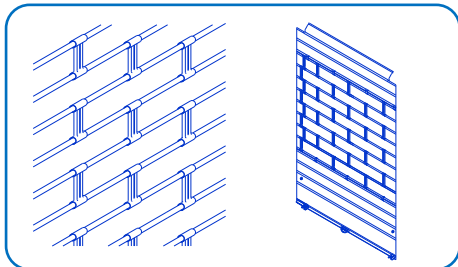
The values are approximates. For specific details contact our Technical Department.

In case of rotating shaft the minimum vertical space is 500 mm (motor + supports).

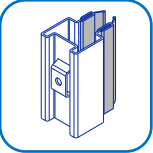
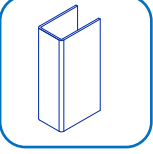
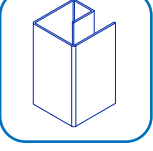
In the case of shutter with spring holder or octagonal shaft D.70 look at the following chart.

H Height	B – Roll Diameter																					
	Spring shaft										Octagonal shaft D. 70 with adapter D. 180											
	1500	2000	2500	3000	3500	4000	4500	5000	5500	6000	6500	6750	7000	7500	1500	2000	2500	3000	3500	4000	4500	5000
5000	465	465	465	465	465	485	485	485	485	485	-	-	-	-	465	465	465	-	-	-	-	
4500	450	450	450	450	450	450	470	470	470	470	470	490	-	-	450	450	450	-	-	-	-	
4000	430	430	430	430	430	430	450	450	450	450	450	450	450	-	430	430	430	430	-	-	-	
3500	410	410	410	410	410	410	430	430	430	430	430	430	430	470	410	410	410	410	-	-	-	
3000	390	390	390	390	390	390	410	410	410	410	410	410	410	410	390	390	390	390	390	-	-	
2500	370	370	370	370	370	370	390	390	390	390	390	390	390	390	370	370	370	370	370	370	-	
2000	350	350	350	350	350	350	370	370	370	370	370	370	370	370	350	350	350	350	350	350	-	
	1500	2000	2500	3000	3500	4000	4500	5000	5500	6000	6500	6750	7000	7500	1500	2000	2500	3000	3500	4000	4500	5000

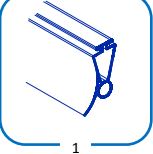
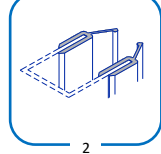
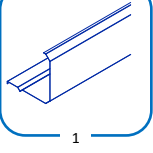
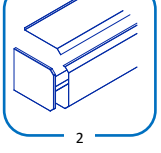
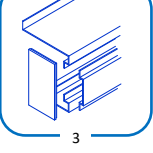
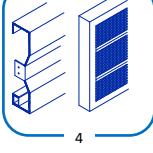
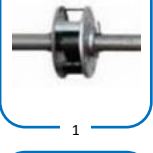
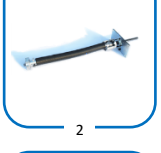


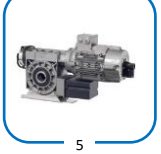

L – Width of the opening



## Sliding guides

<p>Molded guide 60x50 in galvanized steel, thickness 2,0mm With gasket for installation within and behind the opening</p>	
<p>U profiled guides in galvanized steel thickness 1,5 mm - 40 x 25 x 40 for widths until 4400 mm - 50 x 25 x 50 for widths until 5600 mm - 70 x 27 x 70 for widths until 7500 mm</p>	
<p>G profiled guides in galvanized steel thickness 2,0 mm - 60 x 60 – 80 x 60 – 80 x 80 – 100 x 80 - for shutters having a winding diameter higher than 450 mm - for installation behind the opening</p>	

## Accessories

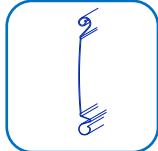
<b>Anti-noise system</b>	
<ol style="list-style-type: none"> <li>1. Rubber Gasket applied to the bottom slat</li> <li>2. Gasket in PVC</li> </ol>	 
<b>Top and Lid</b>	
<ol style="list-style-type: none"> <li>1. Front panel</li> <li>2. Carter composed by front panel, front upper and pair carter clips</li> <li>3. Carter with removable front panel</li> <li>4. External lid in galvanized sheet or composed by micro-perforated/blank elements P.115</li> </ol>	   
<b>Automation</b>	
<ol style="list-style-type: none"> <li>1. Manual operation for shaft with spring Round shaft Ø 48 – 60 – 76 – 89 – 101</li> <li>2. Manual operation with torsional spring Octagonal shaft L. 70 – 102</li> <li>3. Axial motor for shaft with spring Round shaft Ø 48 – 60 – 76 – 89 – 101</li> <li>4. Tubular motor Octagonal shaft L. 70</li> <li>5. Side motor Round shaft Ø 193 – 219 – 244 – 273 – 323 – 406</li> <li>6. Forza motor Octagonal shaft L. 70 – 102</li> </ol>	     

## Finishing

Verniciatura a fuoco RAL Standard					
1000	Beige green	7004	Signal Grey F14	8017	Chocolate brown
1001	Beige	7016	Anthracite grey	8019	Grey brown
1013	Oyster white	7021	Dark grey	8024	Beige brown
1015	Light Ivory	7024	Graphite grey	9001	White cream
6005	Moss green	7040	Window grey	9002	White grey
6009	Fir green	7046	Telegrey 2	9005	Deep black
6015	Black olive	7047	Telegrey 4	9010	Pure white
6019	Pastel green	8004	Copper brown	9011	Graphite black
6023	Mint green	8011	Nut brown	9016	Traffic white
7000	Squirrel grey	8014	Sepia brown		
7001	Silver grey	8016	Mahogany brown		

Special colours	
RAL 9006	Grey Arsonsisi
RAL colours not included in Standard painting	Metallic black
White: Marble (smooth) – Ancient marble (rough)	Black/ Brown: Sandy (rough)
Grey: Marble (smooth) - Ancient marble (rough)	Sandy 900
Brown: Marble (smooth) – Ancient Marble (rough)	Gunmetal
Green: Marble (smooth) – Ancient Marble (rough)	Gold color for external use
Red: Marble (smooth)	Hammered Brown for external use

## The complete range of rolling shutter



Blank P.115



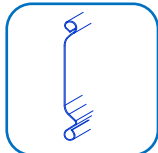
Micro-perforated P.115



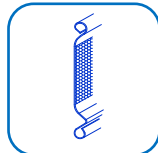
Blank P.97



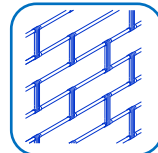
Micro-perforated P.97



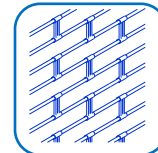
Blank P.73



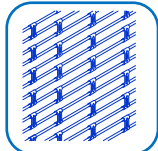
Micro-perforated P.73



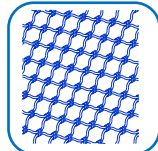
Tubular P.120



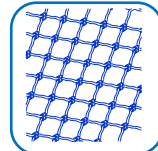
Tubular P.95



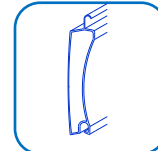
Tubular P.60



Tubonda



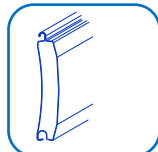
Tondino



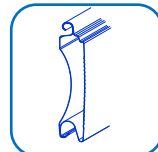
Insulated DP.77



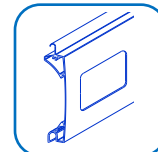
Insulated DP.105



Insulated F.100



Insulated F.140



Windowed



Details and images in this leaflet are not binding.  
Conegliano Serramenti s.r.l. reserve the right to modify them without notice at any time.

### Conegliano Serramenti S.r.l

Via Campolongo 1/E Loc.Ramera Z.I. / 31010 Mareno di Piave – Treviso - Italy

Tel: +39 0438.4985 Fax: +39 0438.498540 / Web site: [www.coneglianoserramenti.it](http://www.coneglianoserramenti.it) [www.forza-motion.com](http://www.forza-motion.com)

P.I. e C.F.: 00532460268- N.Reg.Imp.di TV 8758 / Capitale Sociale i.v.: € 78.000,00 – Capitale esistente al 31.12.15 € 78.000,00i.v.